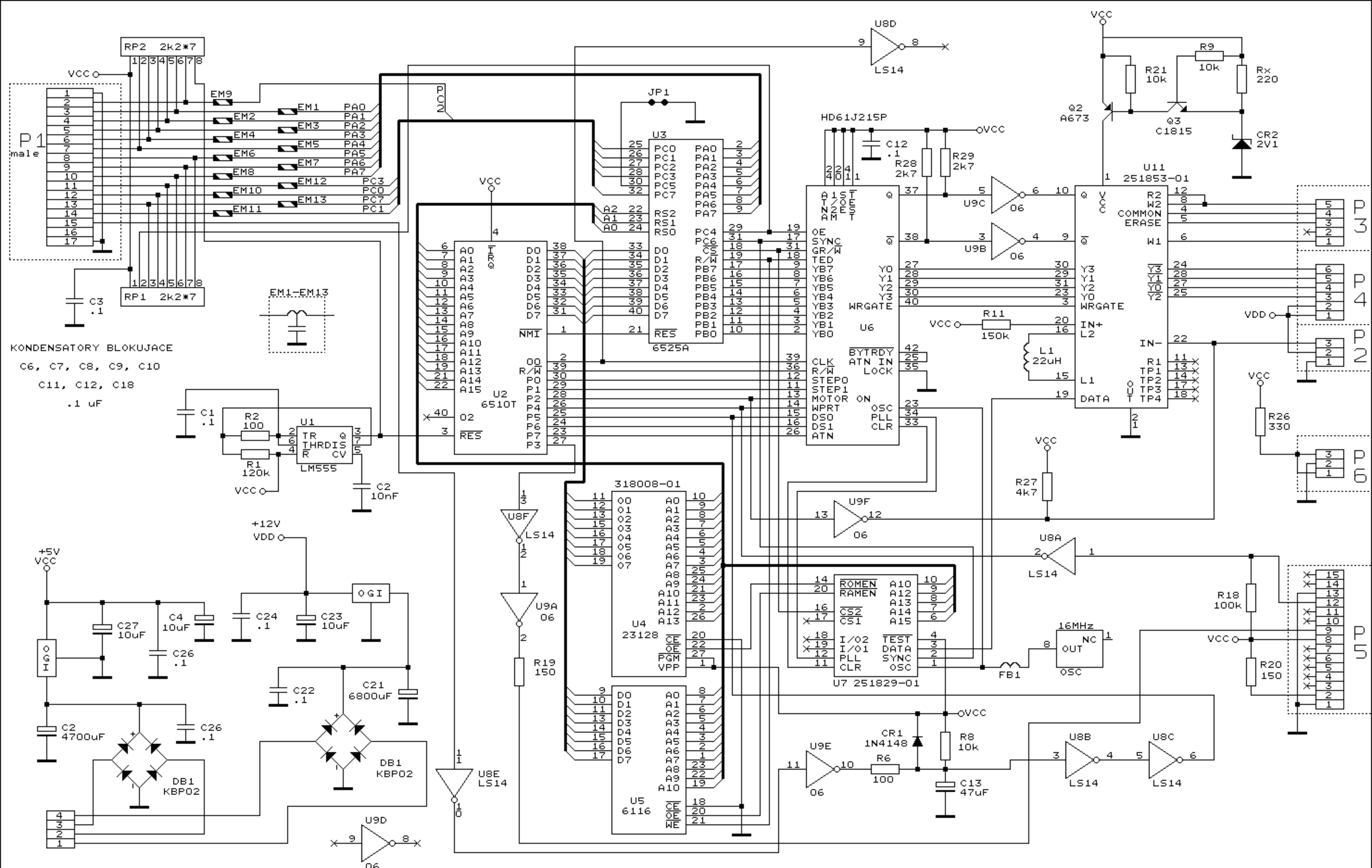
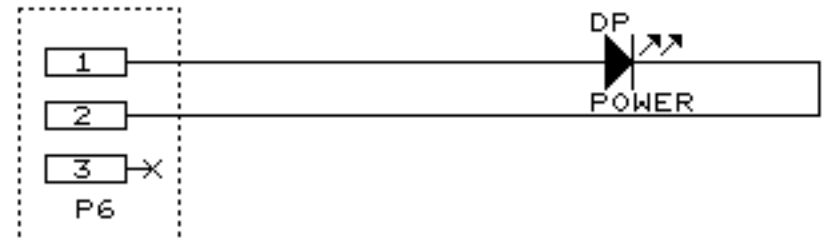
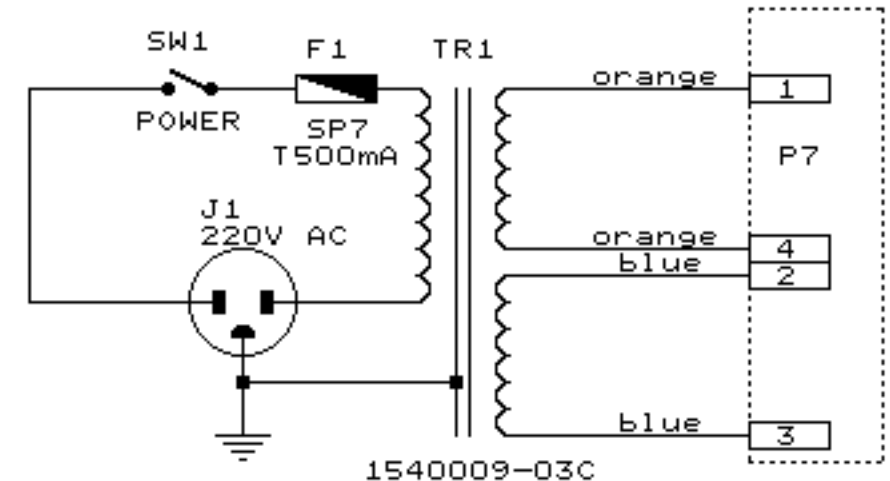
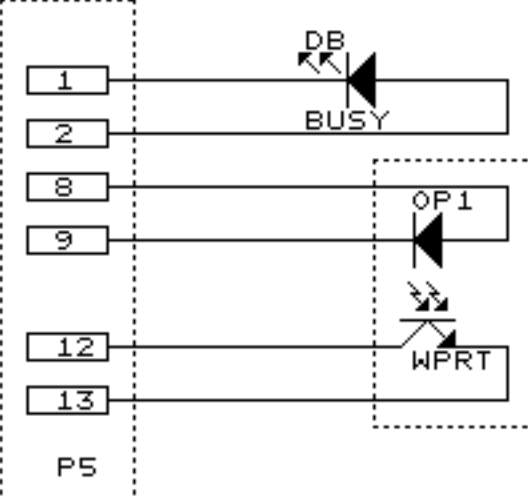
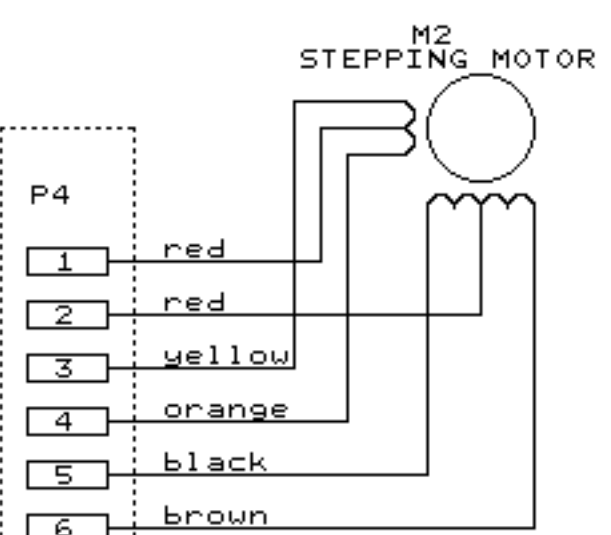
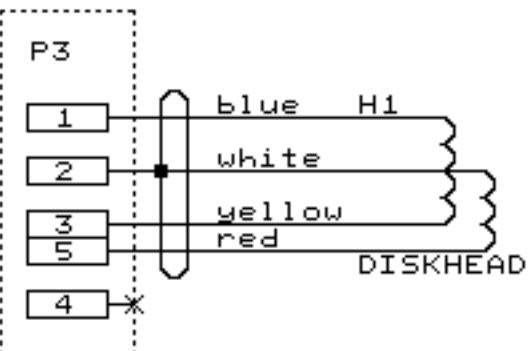
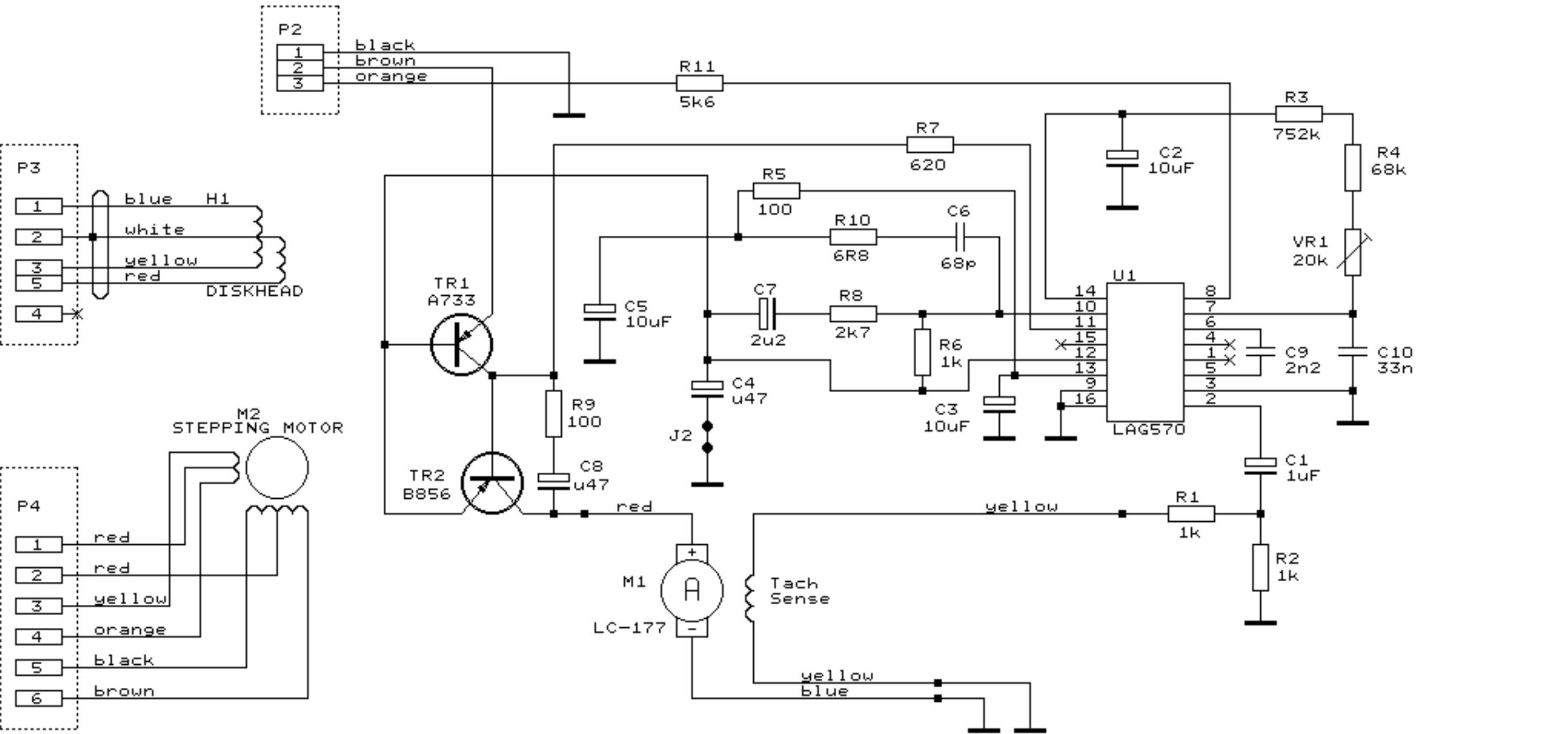


COMMODORE BUSINESS MACHINE		
Title CBM 1551 DISK DRIVE - CARTRIDGE INTERFACE		
Size A4	Draughtman Jerzy SOBOLA	REV 1
Date:	June 20, 1999	Sheet 1 of 3



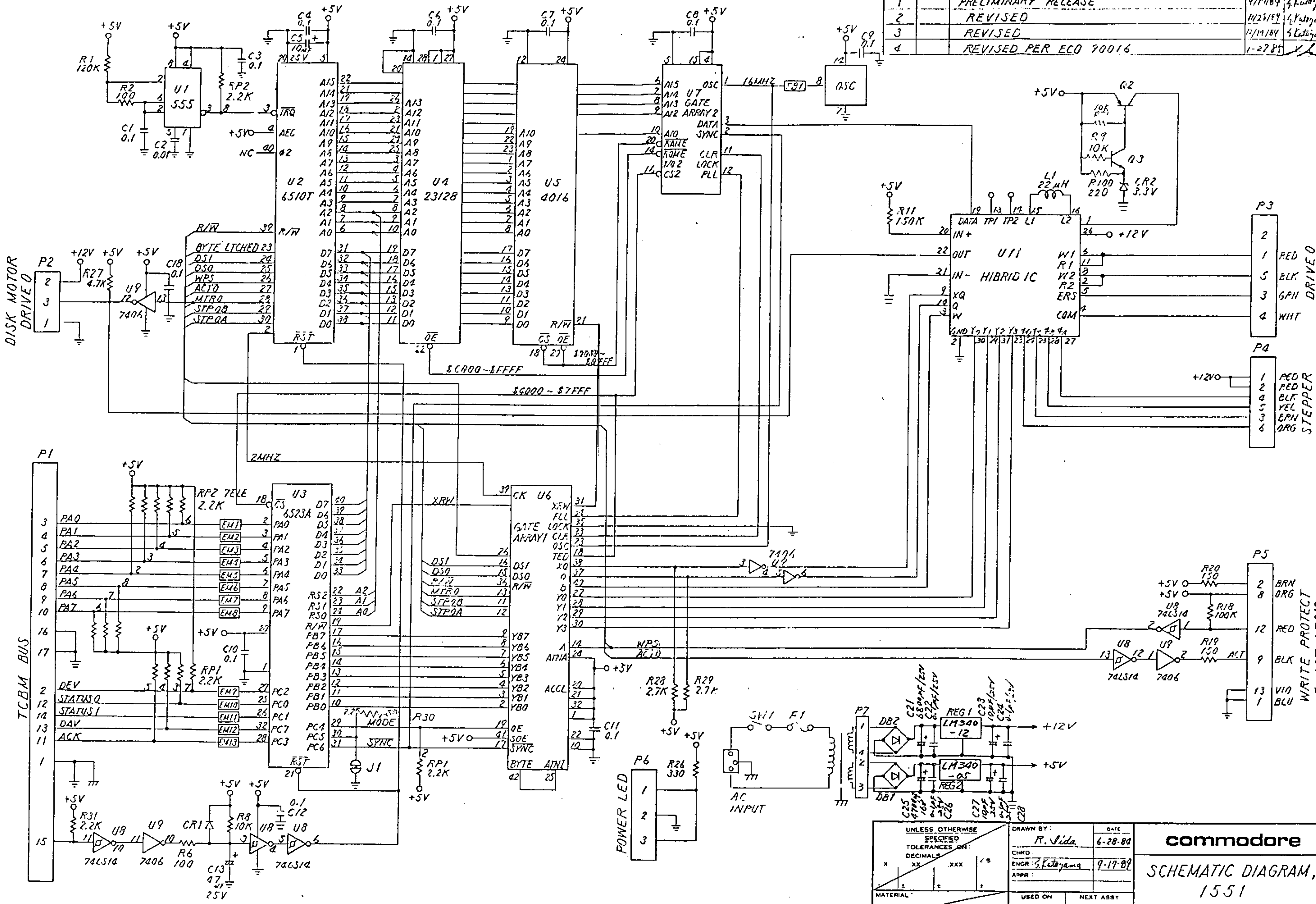
KONDENSATORY BLOKUJACE
 C6, C7, C8, C9, C10
 C11, C12, C18
 .1 uF

COMMODORE BUSINESS MACHINE, Inc.			
Title CBM 1551 DISK DRIVE MAIN BOARD			
Size	Draughtman		REV
A3		001	1
Date:	June 20, 1999	Sheet	2 of



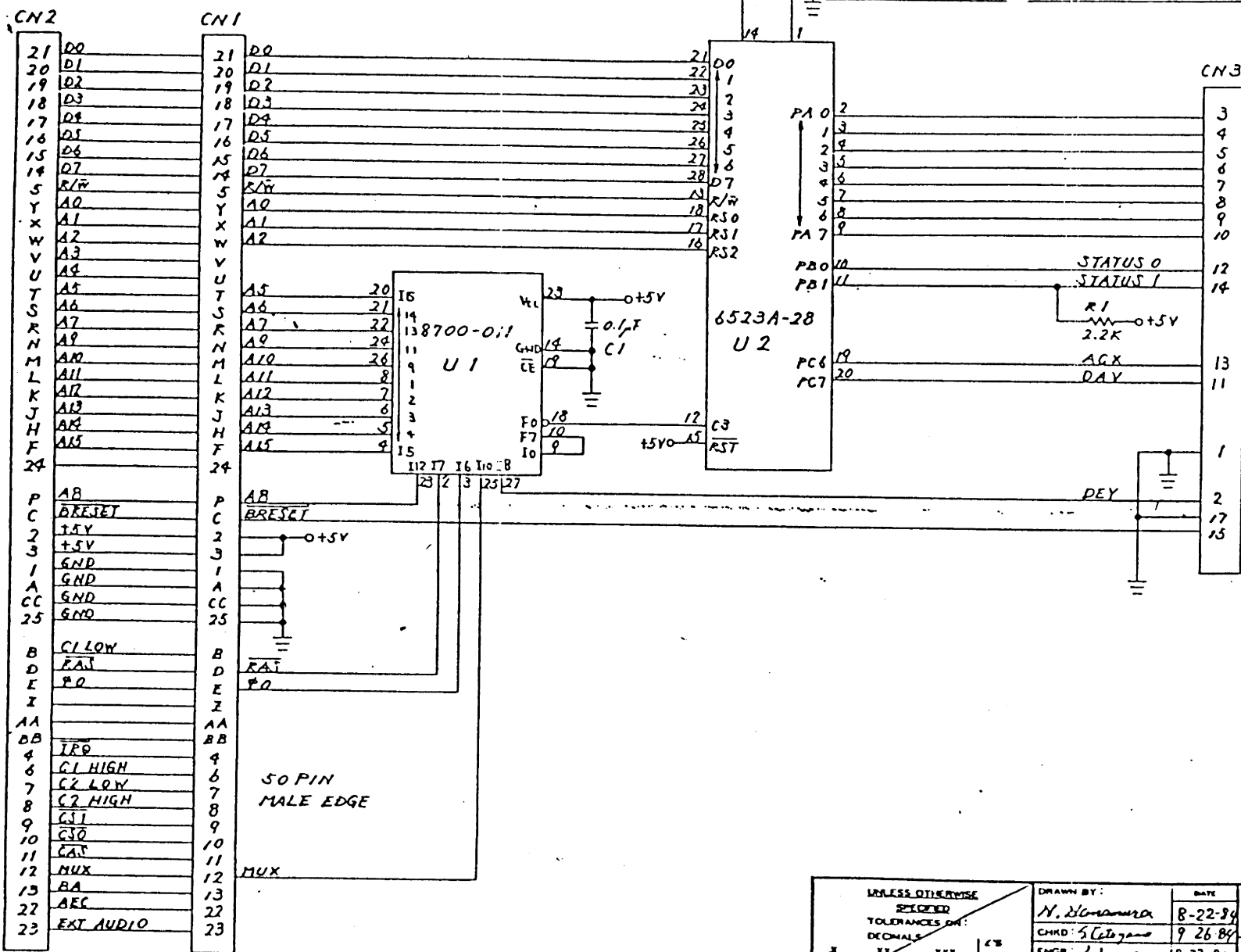
COMMODORE BUSINESS MACHINE, Inc.		
Title CBM 1551 DISK DRIVE MISCELLANEOUS		
Size A4	Draughtman 001	REV 1
Date:	June 20, 1999	Sheet 3 of 3

LTR	ZONE	DESCRIPTION	DATE	APPROV
1		PRELIMINARY RELEASE	9/17/84	S. Katayama
2		REVISED	11/25/84	S. Katayama
3		REVISED	12/11/84	S. Katayama
4		REVISED PER ECO 90016	1-27-85	



UNLESS OTHERWISE SPECIFIED TOLERANCES ON: DECIMALS		DRAWN BY: R. Sida	DATE: 6-28-84
X	XX	XXX	LS
MATERIAL		USED ON: 1551	NEXT ASSY:
FINISH:		SIZE: C	REV: 4
		SCALE: NONE	SHEET 1 OF 1

commodore
SCHEMATIC DIAGRAM,
1551



50 PIN
 MALE EDGE

MUX

UNLESS OTHERWISE SPECIFIED TOLERANCES ON: DIMENSIONS: XXX .005 MATERIAL: FINISH:	DRAWN BY: N. S. ... DATE: 8-22-84	commodore SCHEMATIC, 1551 PADDLE
	CHKD: S. ... DATE: 9-26-84	
	ENGR: L. ... DATE: 8-22-84	
	APPR:	
USED ON:	NEXT ASSY:	SIZE: B 251925 SCALE: NONE SHEET: 1 OF 1
		REV: 2